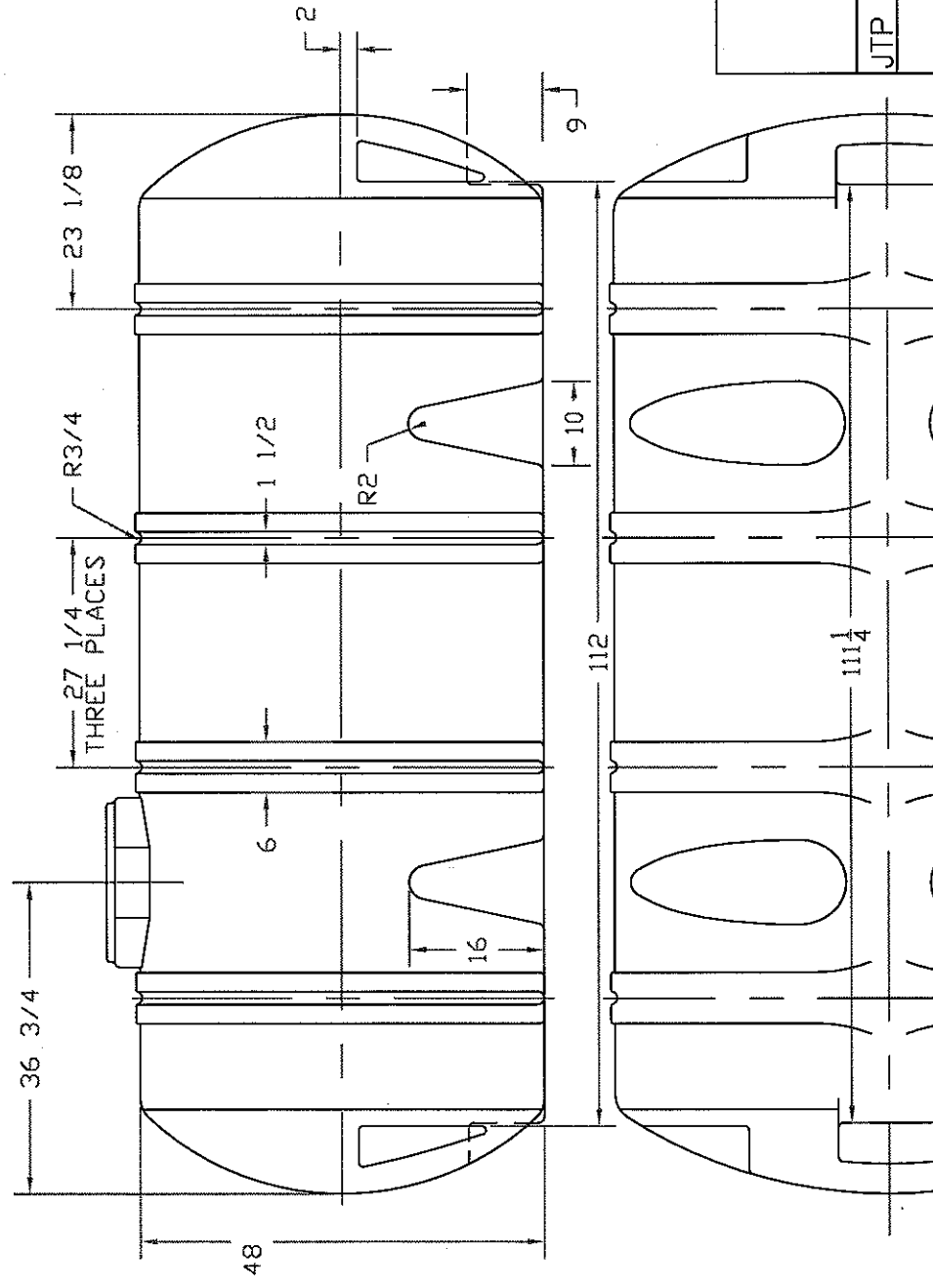
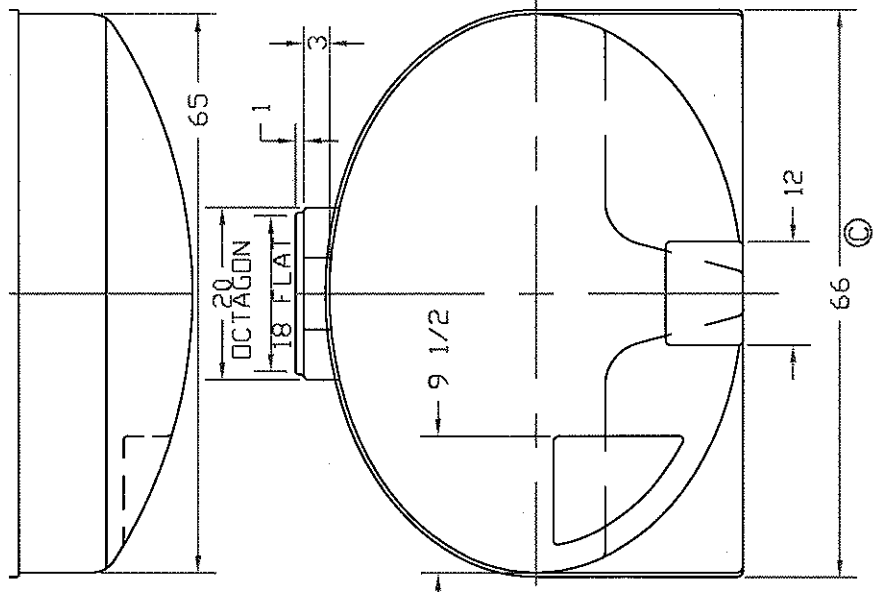


REVISIONS			
ZONE	REV	DESCRIPTION	DATE
	A	REDRAWN	27JUN97
	B	SPARGER FLATS REVISED	23OCT98

REVISIONS			
ZONE	REV	DESCRIPTION	DATE
	C	ADDED DIM	09FEB04



NORWESCO
 ST. BONIFACIUS, MN
 1235 GALLON ELLIPTICAL
 LEG TANK

JTP	27JUN97	SIZE	FSCM NO.	DWG NO.	REV
		B			C
SCALE 1/16				SHEET	