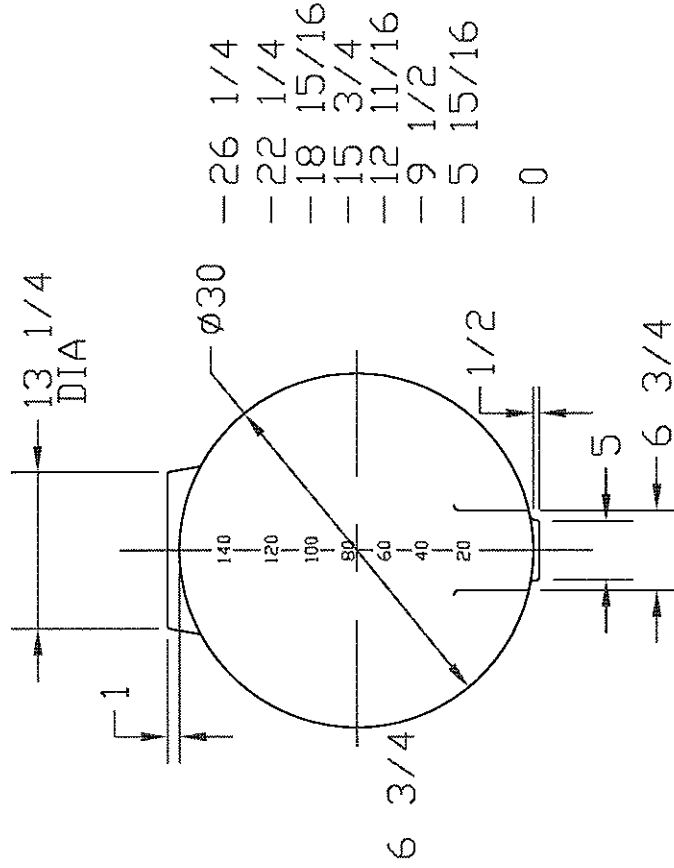
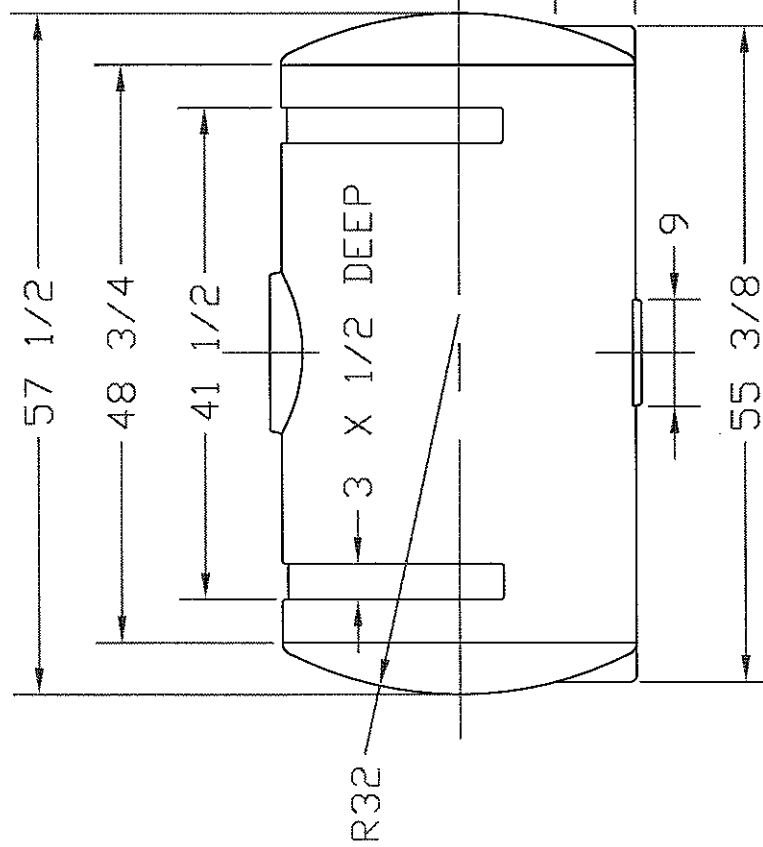


8 1/4 ACME THD,
RH, FOR 60002 LID



- 26 1/4
- 22 1/4
- 18 15/16
- 15 3/4
- 12 11/16
- 9 1/2
- 5 15/16
- 0

REVISIONS

ZONE	REV	DESCRIPTION	DATE	APPROVED

NORWESCO
ST. BONIFACIUS, MN

150 GALLON X 30 DIAMETER
APPLICATOR TANK

JTP	15SEP94	SIZE	FSCM NO.	DWG NO.	REV
		A			
SCALE 1/16				SHEET	