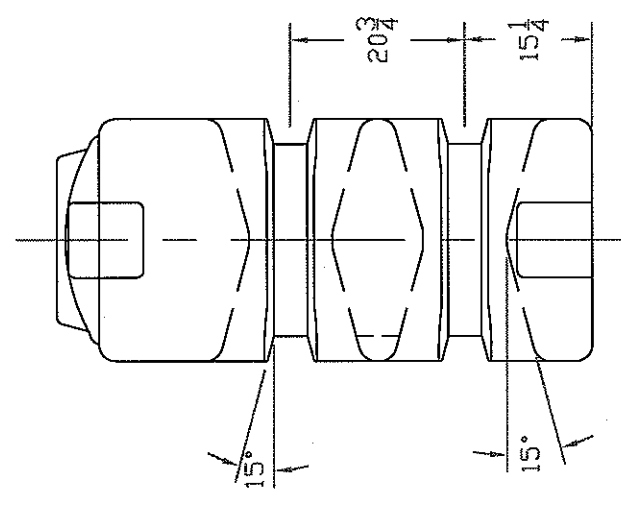
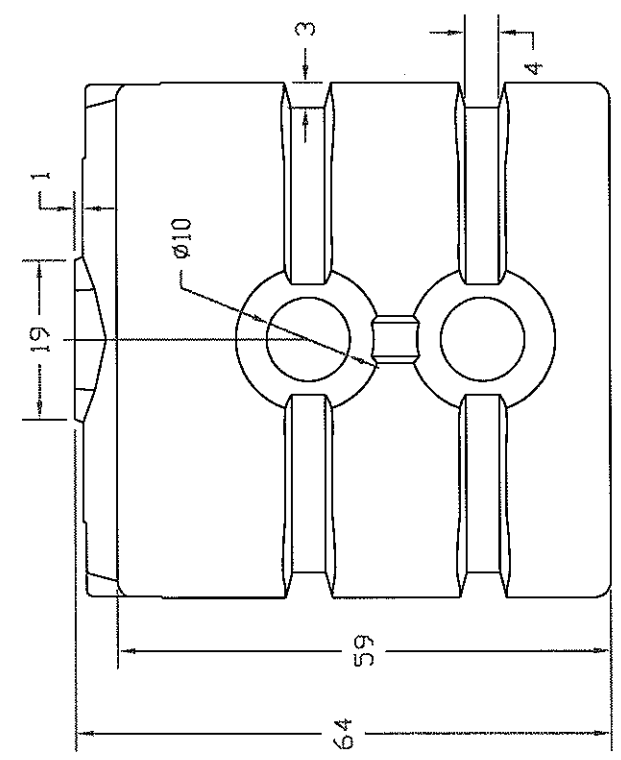
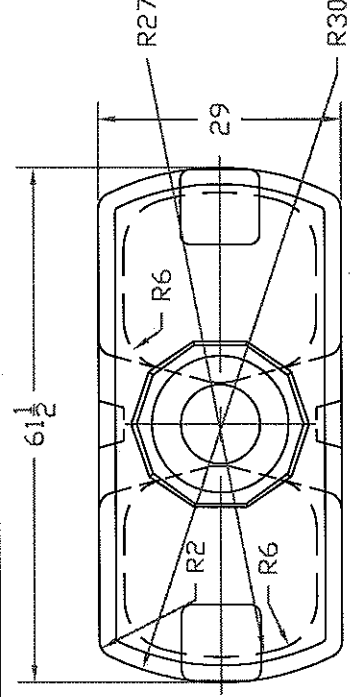


ZONE		REV		DESCRIPTION		DATE		APPROVED	

REVISIONS										



**NORWESCO**  
 ST. BONIFACIUS, MN  
 400 GALLON  
 FREESTANDING WATER TANK

SIZE: B FSCM NO.: DWG NO.: REV: SCALE: 1/16 SHEET

JTP 13MAR00