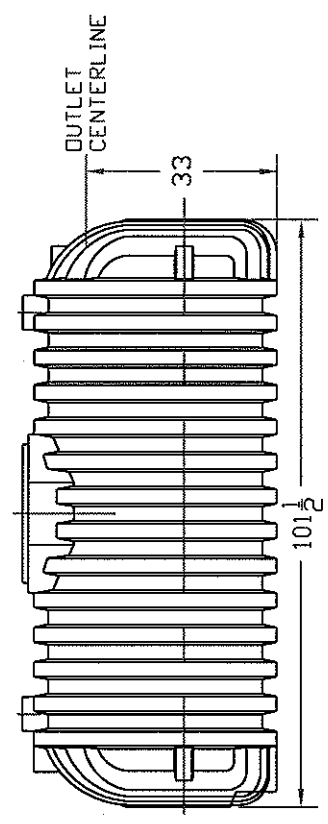
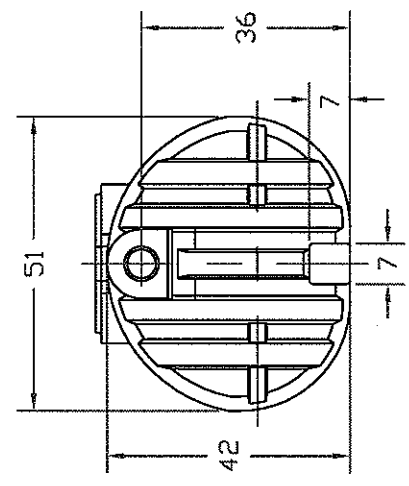
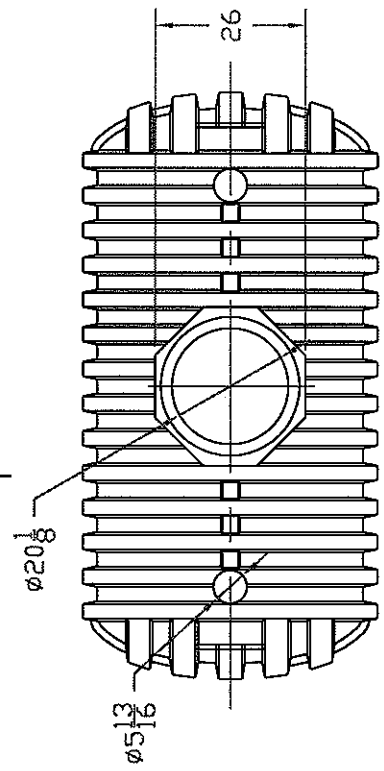
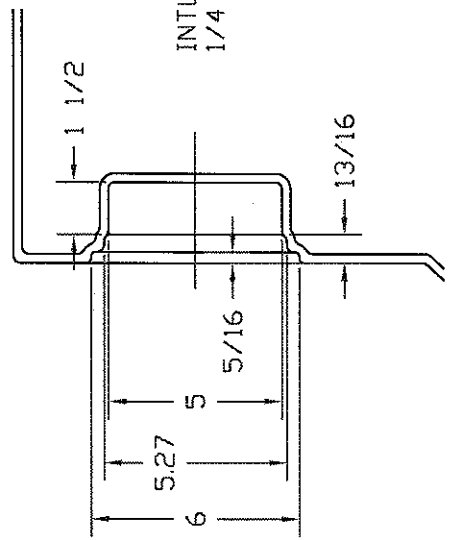


REVISIONS		DATE	APPROVED
ZONE	REV	DESCRIPTION	



NORWESCO
ST. BONIFACIUS, MN
600 GALLON CISTERN

JTP	21JAN03	SIZE	FSCM NO.	DWG NO.	REV
		B		41328	
		SCALE		1/24	SHEET