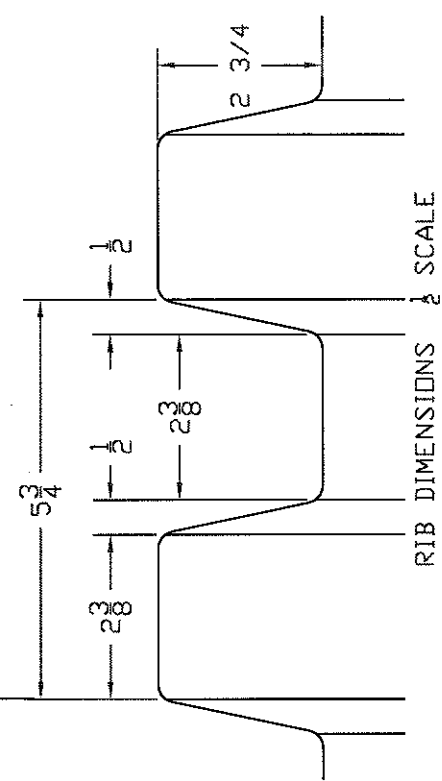
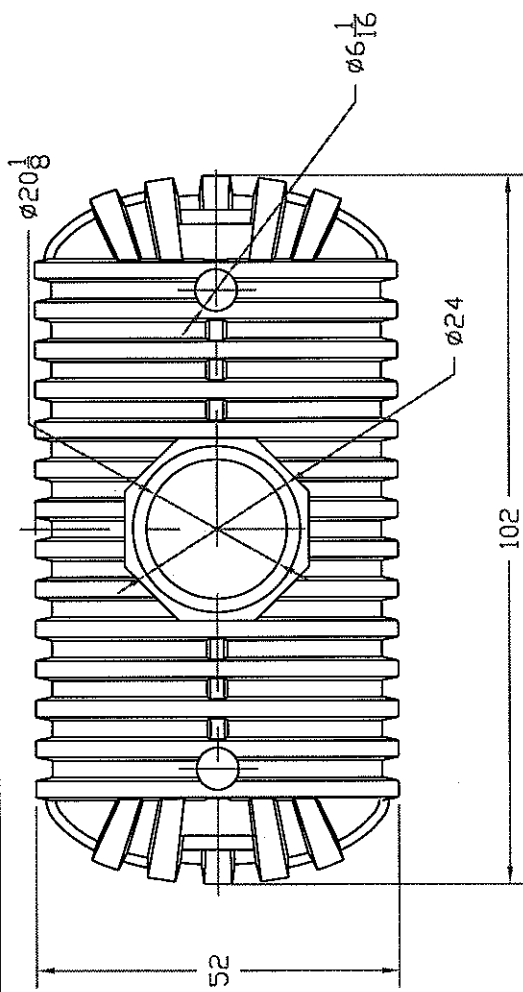
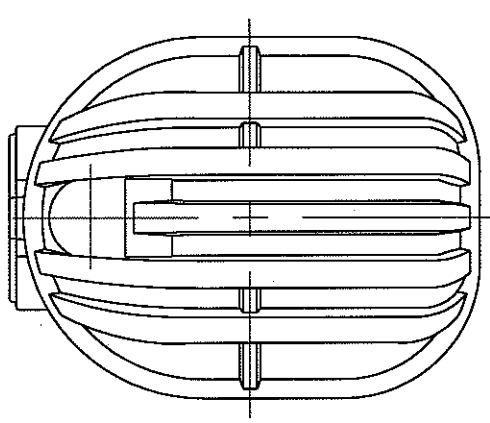
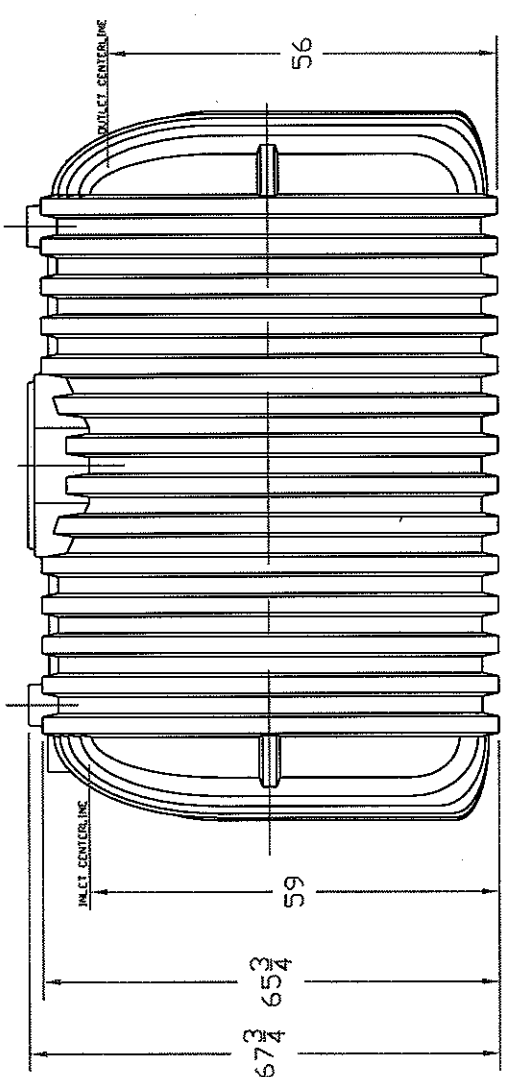


REVISIONS		DESCRIPTION	DATE	APPROVED
ZONE	REV			



RIB DIMENSIONS & SCALE



NORWESCO		ST. BONIFACIUS, MN	
1000 GALLON 1-MANHOLE		SEPTIC TANK	
JTP	27JAN03	SIZE FSCM NO.	DWS NO. 41716/41717
		B	REV
SCALE 1/20		SHEET	