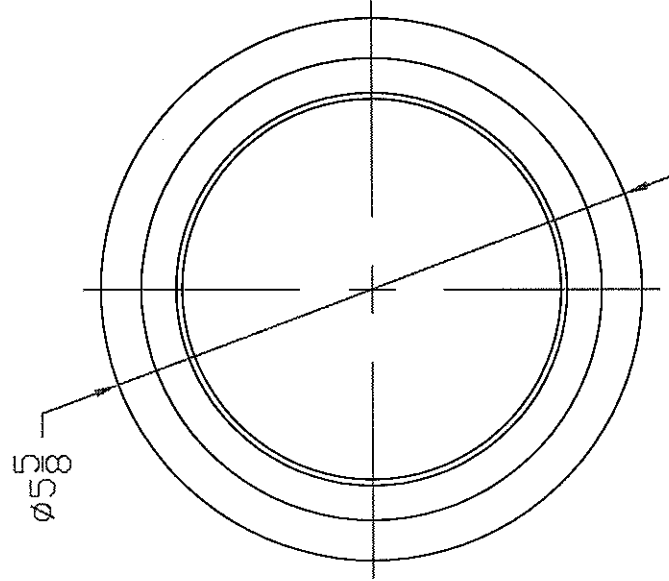
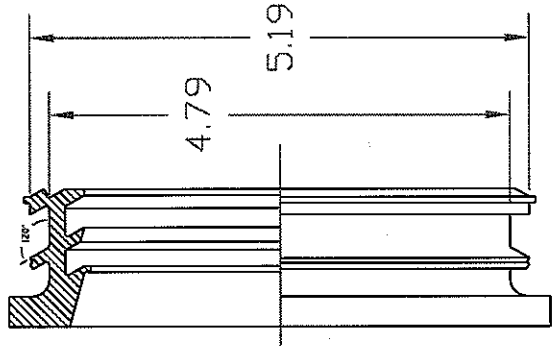
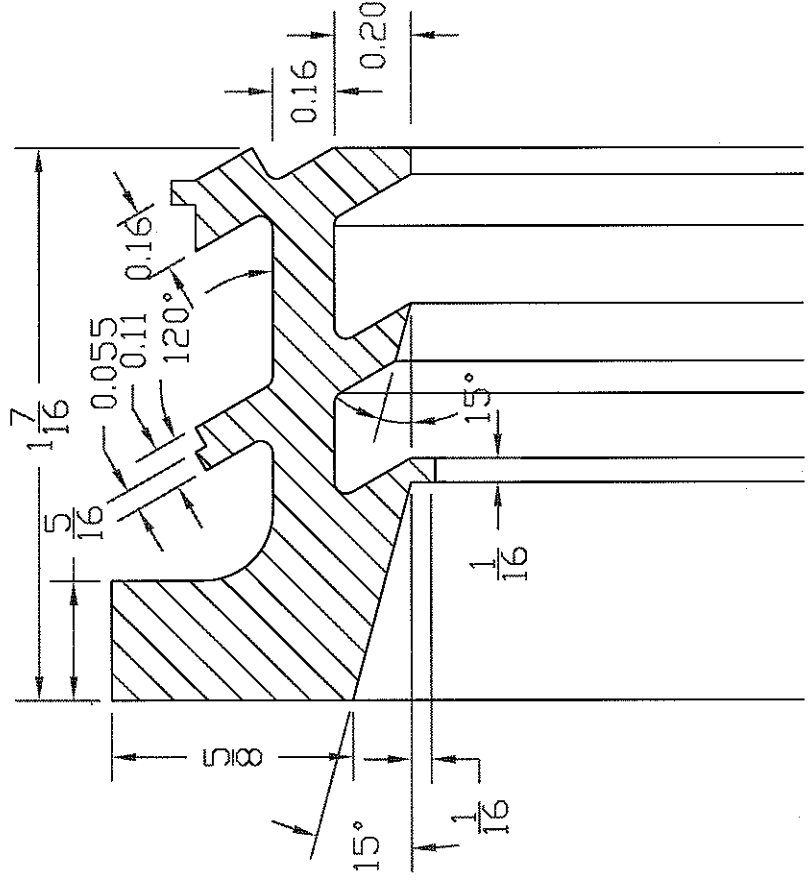


REVISIONS

ZONE	REV	DESCRIPTION	DATE	APPROVED



**NORWESCO**  
 ST. BONIFACIUS, MN  
 SEPTIC GASKET

JTP	27JAN03	SIZE	FSCM NO.	DWG NO.	REV
		A		60352	
		SCALE	1/2		SHEET