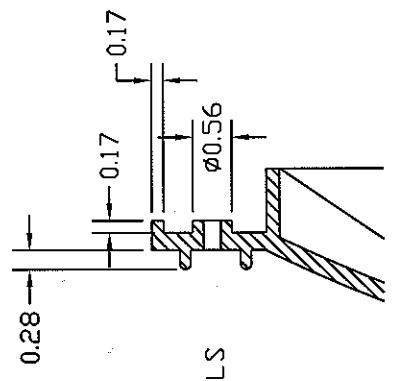
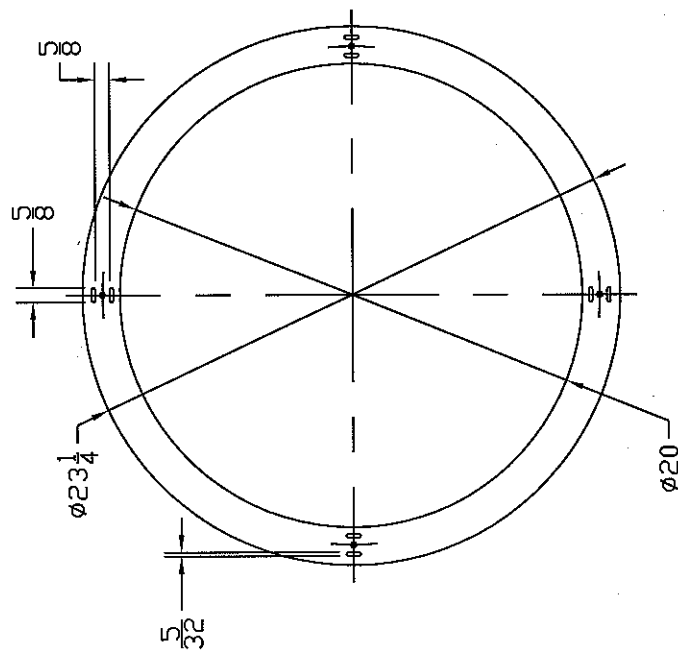
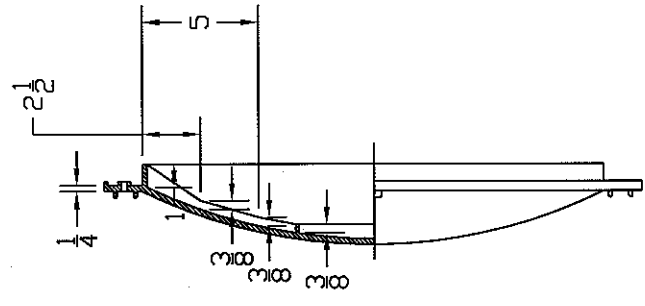
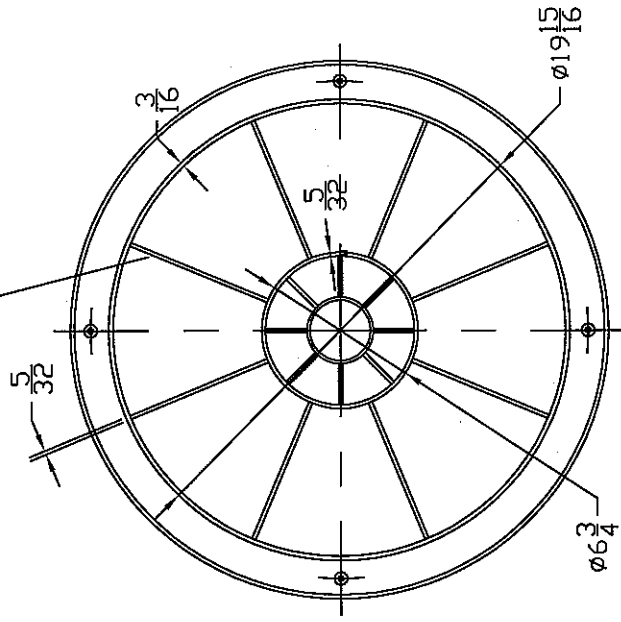


REVISIONS			
ZONE	REV	DESCRIPTION	DATE
	A	ADDED OD RIB, BOSSES, & RADIUS NOTE	
			APPROVED

PROVIDE 1/32 MINIMUM RADIUS AT ALL RIB/LID INTERSECTIONS



RIB & BOSS DETAILS
1/2 SCALE

NORWESCO
ST. BONIFACIUS, MN
DOMED LID

JTP 17APR01	SIZE B	FSCM NO.	DWG NO. 62408	REV
			SCALE 1/8	SHEET

MAT'L: HIGH DENSITY POLYETHYLENE